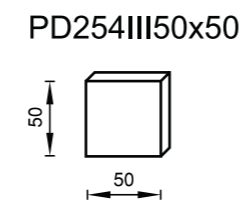
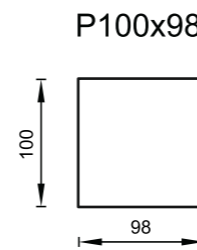
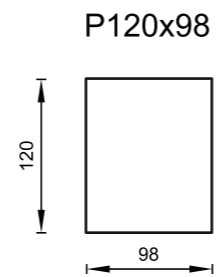
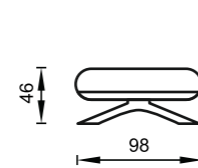
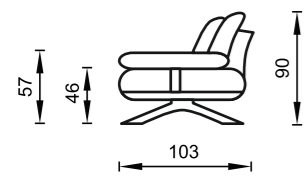
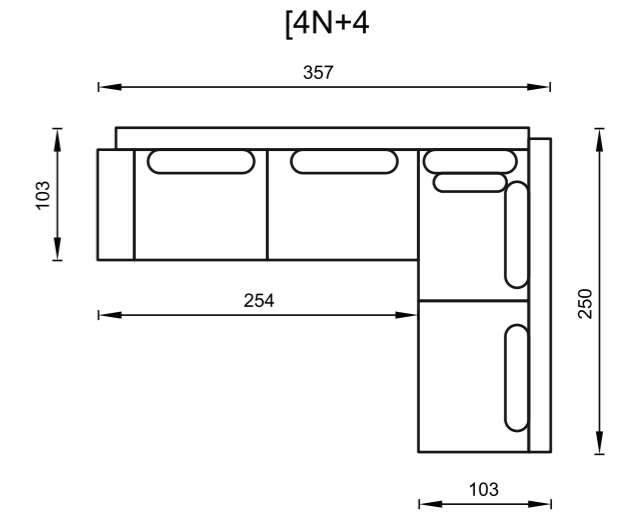
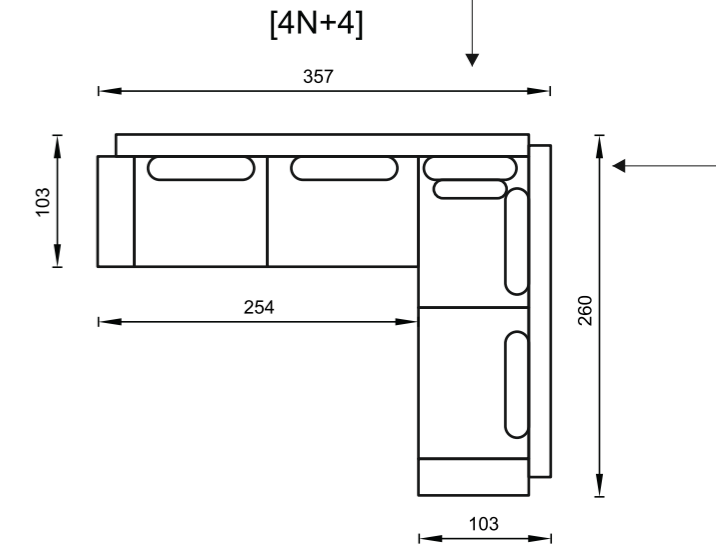


Attention!
When dimensioning a corner:

- to the sofa with element N should be added ≈ 24 cm
- to sofas without armrest or with one armrest should be added ≈ 6 cm



- [Armrest
- P Pouf
- PD Decorative pillow
- III Goose feathers 70% and Silicone blend 30%

Decorative pillow only in element N

ELIXIR